

W7-Series Cyberject™ pH Control/Fertigation



General Description:

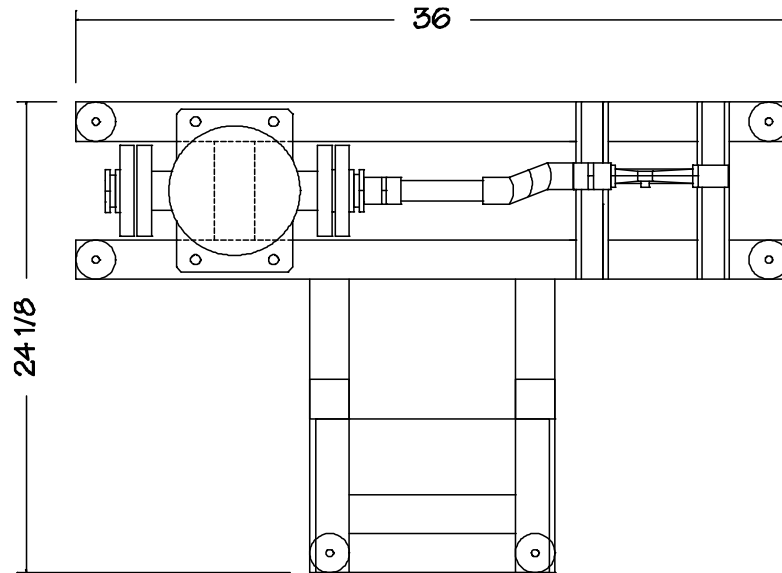
The W7 Series pH systems offer a safe reliable way of adjusting the pH of irrigation water. The systems are available in many different models with or without fertigation capability. With the capability of utilizing virtually any type of pH control agent, including sulfuric, N-phuric, etc., the W7 series offers excellent flexibility. Due to the fact that the concentrated product is never under pressure, the W7 Series has inherently better safety and reliability than competing systems incorporating pressurized injection techniques.

Features

- Incorporates WERECON Adaptive Auto Adjust™ system for superior accuracy
- Redundant pH sensors ensure accuracy and reliability
- Rugged Stainless Steel Chassis
- Displays Current and Historical pH and Water Flow Data
- Multiple Mechanical and Electrical Safeties
- Expandable (More Pumps, PC Control, etc.)
- Made in the USA

WERECON Inc.

W-7 Series Technical Information



BASE CHASSIS DRAWING - ACTUAL LAYOUT MAY VARY.

Typical Specifications

Dimensions	36" X 24" X 38"
Input Power	120V 1 ϕ at 20A or 480 3 ϕ at 7A
Electrical Rating	Nema 4 for outdoor use
Weight	150 pounds US
Max Pressure	150PSI
Ambient Temperature	120 °F
Frame Construction	304 Stainless Steel
Materials	
Chemical Handling	FEP, FPR, Polypropylene, 316SS, PVDF, and XLPE
Water Handling	Brass, 304SS, PVC and Synthetic Rubber
Intake	1-1/4" NPT
Discharge	3/4" NPT
Required Flow Sensor	Data Industrial Model 220 or Equivalent



Hong Kong | Singapore | Malaysia | Australia
Email: info@centaur-asiapacific.com
Website: www.centaur-asiapacific.com

