

633 | ACCU-PRO AC/SC SPIN /RELIEF REEL GRINDER

FOLEY COMPANY



FEATURES

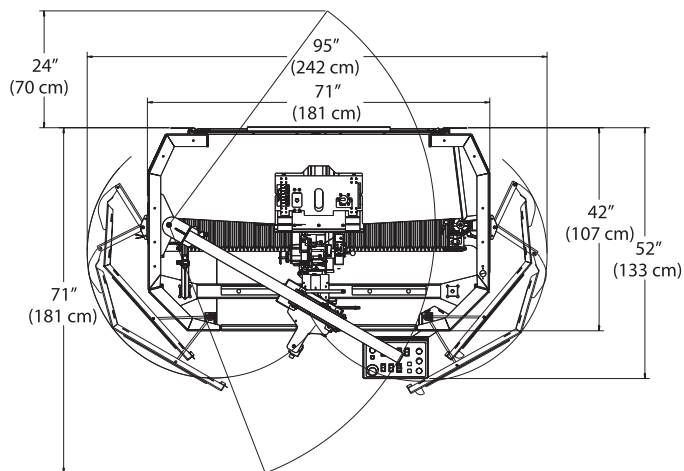
| | |
|---|---|
| Spin Grind capable | ✓ |
| Auto Indexing hands free Relief Grinding | ✓ |
| - Electronically control Torque for relief | ✓ |
| Quick Reel placement - ACCU-Reel selector | ✓ |
| Cone/Taper Removal - Easy Alignment of Reel to Grinder | LED- Feedback (manual) Screen feedback (Optional AT3 package) |
| Variable Speed Spin Drive motor | Articulating counter balanced |
| Variable Speed Belt Drive Traverse System | ✓ |
| 3 pack of Drive Adapters (male - 8, 9 and 11 tooth spline) | ✓ |
| Rear door with Safety interlock | ✓ |
| Front Safety door with Safety interlock | ✓ |
| Quick Change Grinding wheel | ✓ |
| ACCU-Touch 3 (AT3) with standard and custom programs - With end of cycle indicator light. | Optional |
| Noise and Dust abatement | X |
| Dust collection - Vacuum system | Optional |
| Slotted top Canopy (653 only) for Shop overhead Crane | X |
| Attached rear lift table | Optional |
| Overhead Boom | Optional - electric with trolley |

ADVANTAGES & BENEFITS

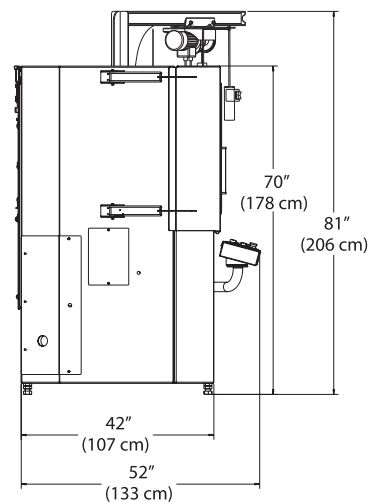
- ▶ AUTOMATED INFEEED CYCLES FOR SPIN AND AUTO-INDEX RELIEF GRINDING
- ▶ PATENTED HANDS-FREE AUTO-INDEX RELIEF GRIND
- ▶ ELECTRIC INTER-LOCKING DOORS AND LEXAN SAFETY GLASS PROTECTION
- ▶ VARIABLE SPIN SPEED, TRAVERSE SPEED AND RELIEF TORQUE FOR COMPLETE VERSATILITY
- ▶ VERTICAL/HORIZONTAL ADJUSTER ENSURES PRECISE CARRIAGE POSITION AND TAPER REMOVAL

▶ DIMENSIONS:

TOP VIEW



SIDE VIEW



Distributed by:



Hong Kong | Singapore | Malaysia | Australia

Email: info@centaur-asiapacific.com

Website: www.centaur-asiapacific.com

MADE IN THE USA

©2020 FOLEY COMPANY. ALL RIGHTS RESERVED. PN3730169 - LU01072020

FOLEYCO.COM | 800.225.9810

PURSUE PERFECT

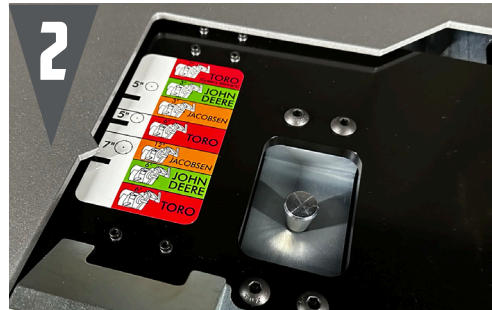
633 | ACCU-PRO AC/SC SPIN /RELIEF REEL GRINDER



SC/AC CONTROLLER



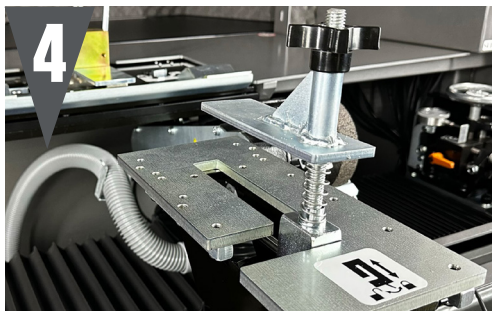
ACCU-REEL SELECTOR



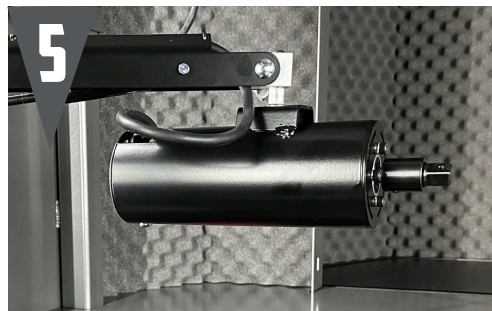
ELECTRONIC POSITIONING DISPLAY



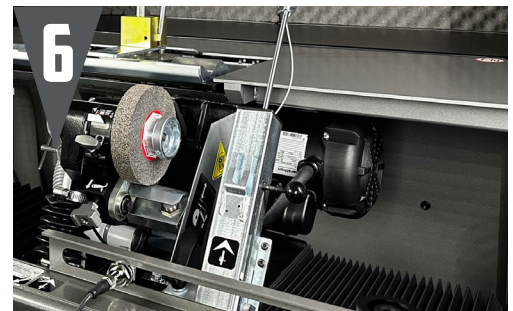
FRONT ROLLER CLAMP



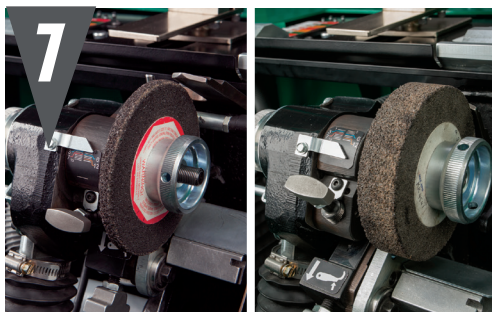
COUNTER-BALANCED SPIN DRIVE



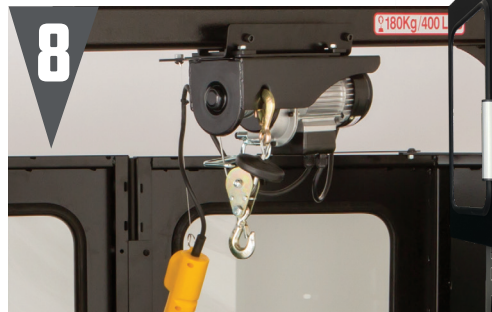
ACCU-POSITIONING GAUGE



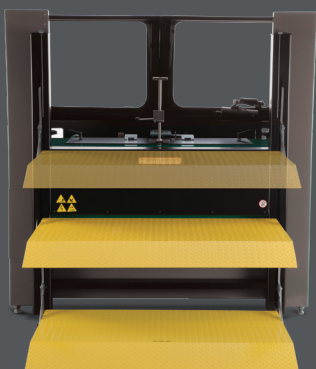
PATENTED GRINDING HEAD & RELIEF ASSEMBLY



OPTIONAL ELECTRIC HOIST



SIMPLICITY + QUALITY AT ITS BEST



OPTIONAL EQUIPMENT
REAR LIFT TABLE

AUTOMATED INFEEED GRIND CYCLES
FOR BOTH THE SPIN AND RELIEF GRIND PROCESS. (633AC)

SPIN GRIND IN MINUTES
LET THE ACCU-TOUCH 3 DO THE WORK WHILE YOU DO SOMETHING ELSE. (633AC)

AUTO INDEX RELIEF
AUTOMATION OF INFEEEDS AND THE PATENTED AUTO-INDEX PROVIDES PRODUCTIVITY AND CHOICE.

EASY REEL PLACEMENT
TO AUTOMATICALLY LOCATE THE REEL FOR A FAST AND EASY SPIN OR SPIN + RELIEF GRIND.

EASY TO USE CONTROLS
THE 633 SC USES A PRECISION PUSH-BUTTON TO INFEEED THE GRINDING HEAD WHILE IT AUTOMATICALLY TRAVERSES. THE 633 AC AUTOMATES THE PROCESS TO AUTOMATICALLY IN-FEED THE GRINDING HEAD AND STOP THE GRINDING PROCESS WHEN COMPLETED.